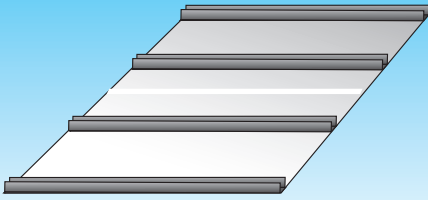
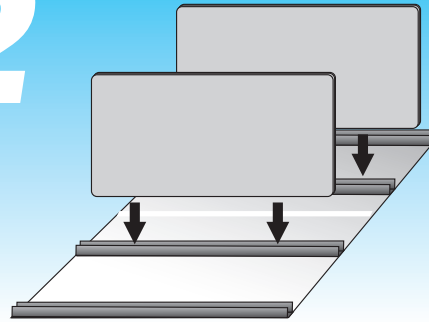


Curved ECM 40 podium

1

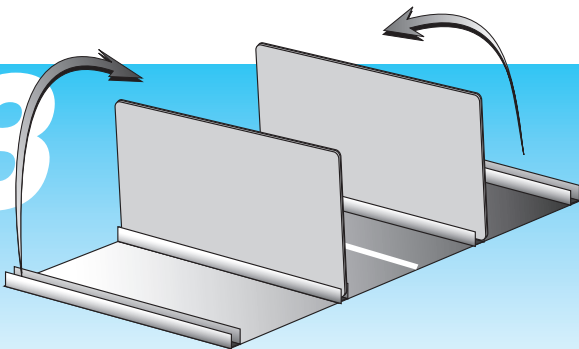


2



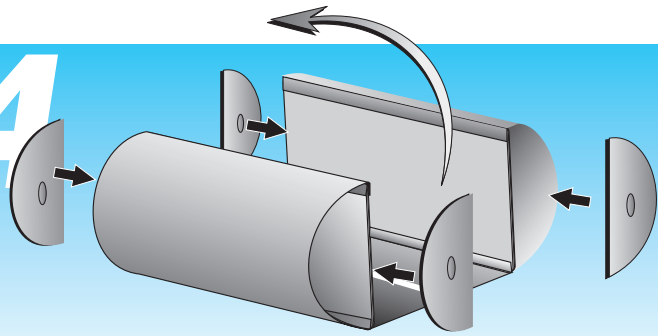
Place flexible panel face down on flat surface.
Slip ridged single panels into "U" Channel.

3



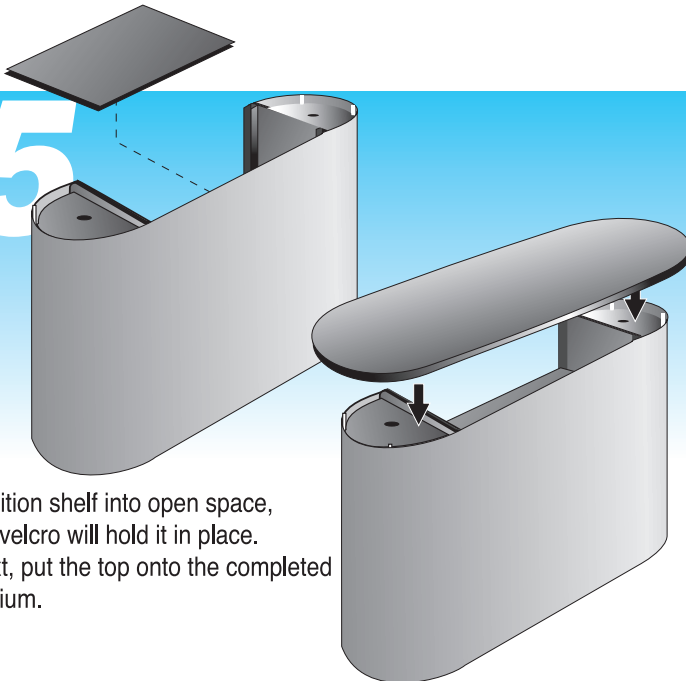
Arch panel forward and slide "U" Channel
onto top of panel to form curved ends.

4



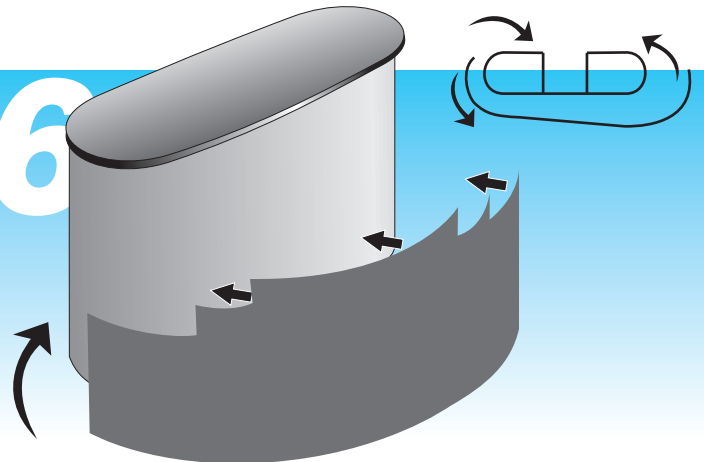
Stand unit on end to complete the assembly of the podium.
Place hubs into ends to keep semicircular shape

5



Position shelf into open space,
the velcro will hold it in place.
Next, put the top onto the completed
podium.

6



Finally, apply the graphics to the front.
start with one side of the graphic and place
it on the back of the unit. Then just wrap
the graphic around the unit.