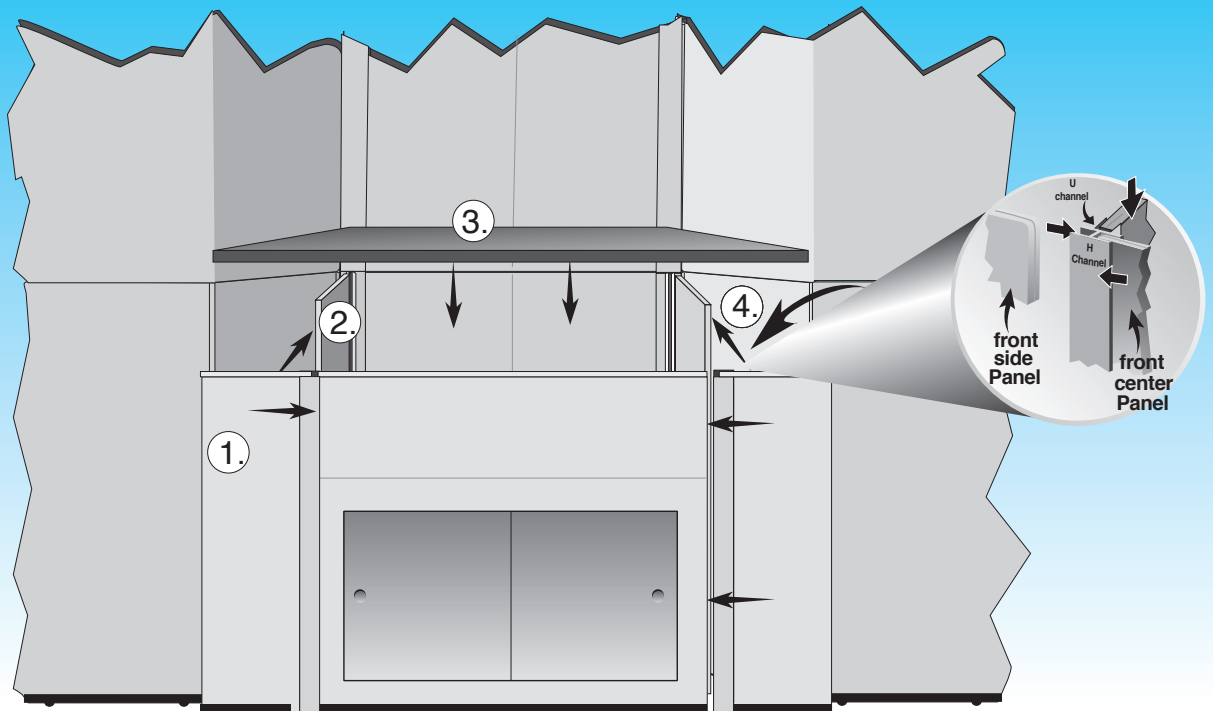


# Recessed Counter Set-Up Instructions



1. Slide side filler panels with "U" channel onto door panel and set in place flush with hinges on front of the display.
2. Slide narrow support panels into "U" channel and Velcro to display
3. Locate shelf and set onto top of door assembly. The shelf has Velcro along back edge to attach to the display panels.
4. Attach single joiner strips to single panels