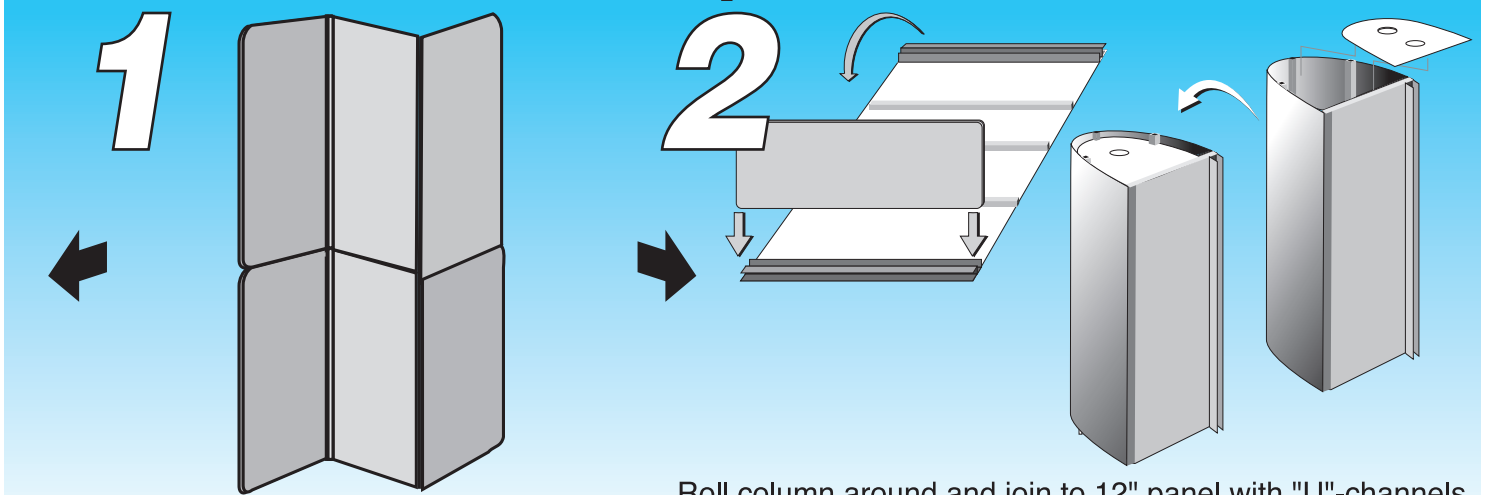
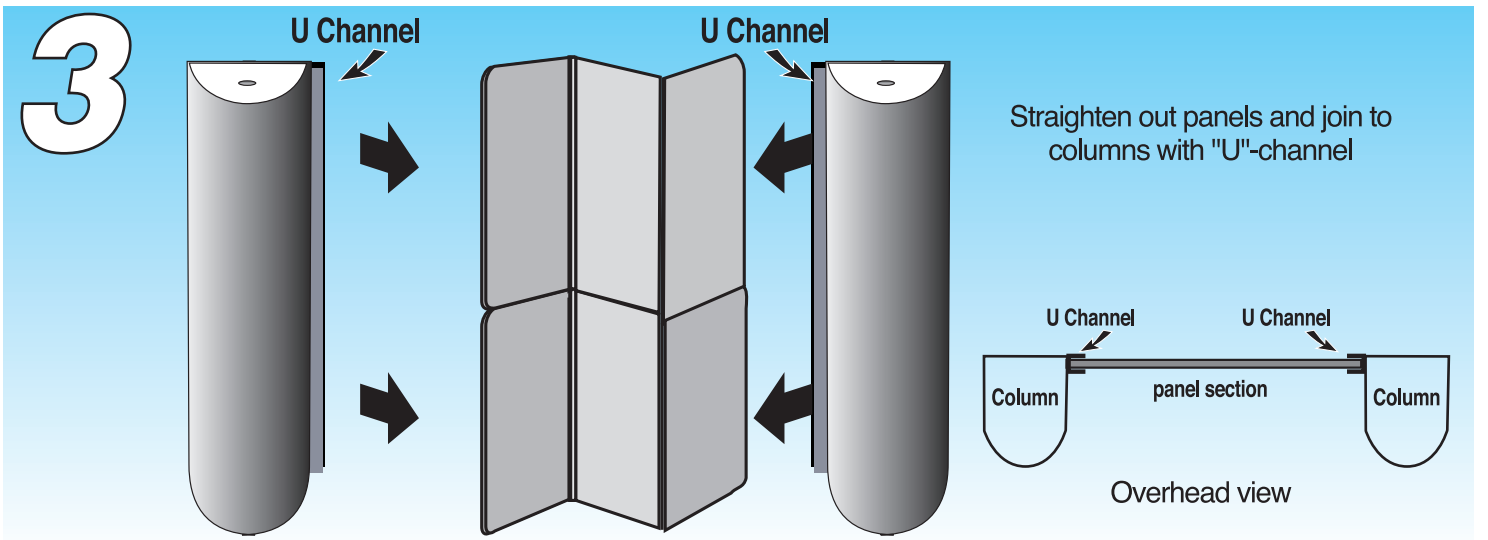


Renaissance Table-Top SET-UP INSTRUCTIONS



1
Unfold panels. Push center hinge forward and slide side panels forward, eventually this will form the back wall of the display for now leave the panels in a slight zig zag pattern.

2
 Roll column around and join to 12" panel with "U"-channels. Next, place the "hubs" into the ends of the openings to keep their shape

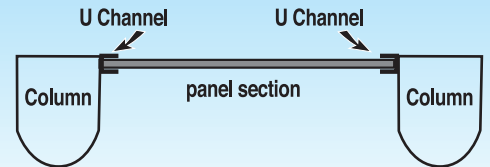


3

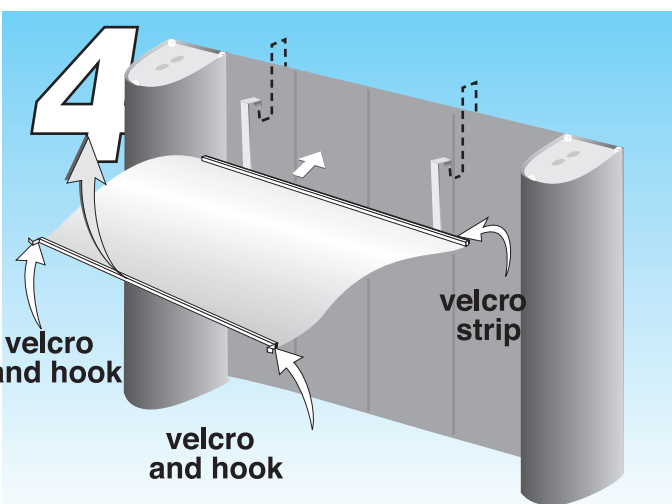
U Channel

U Channel

Straighten out panels and join to columns with "U"-channel



Overhead view

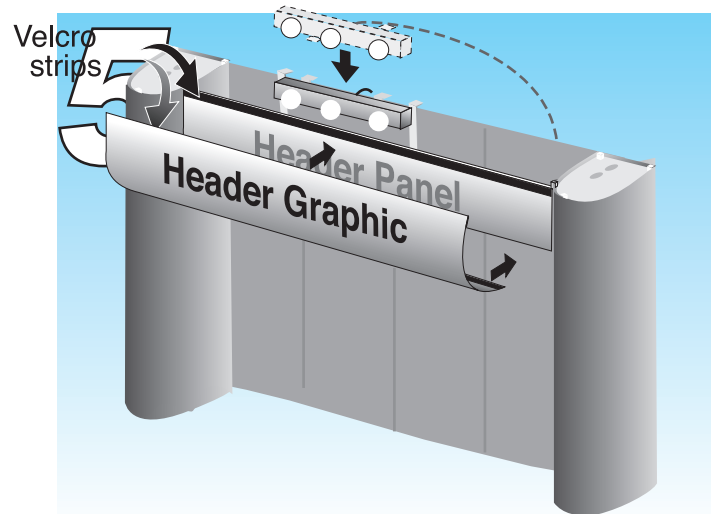


4

velcro and hook

velcro strip

velcro and hook



Velcro strips

Header Panel
 Header Graphic

The flexible header panel attaches by hooks over the top of the units' back, then the **velcro strip** "locks" it into place. Roll the front of the translucent header up and attach its **velcro** to the end curves. The small hook attaches over the top of the curve.

Finally, place the light bar onto the back of the unit just like the header panel. The graphic snaps onto the Header Panel with velcro strips.