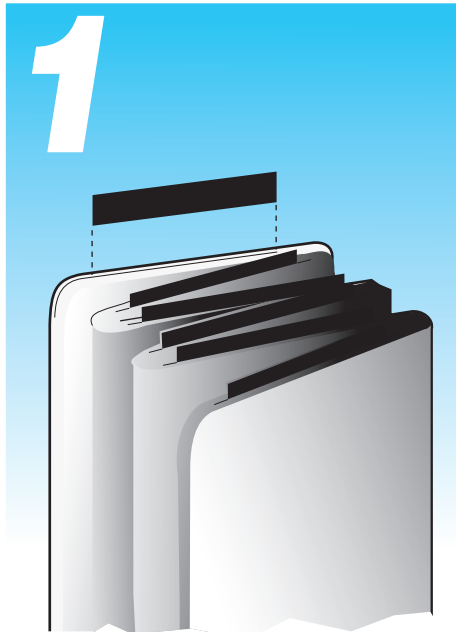
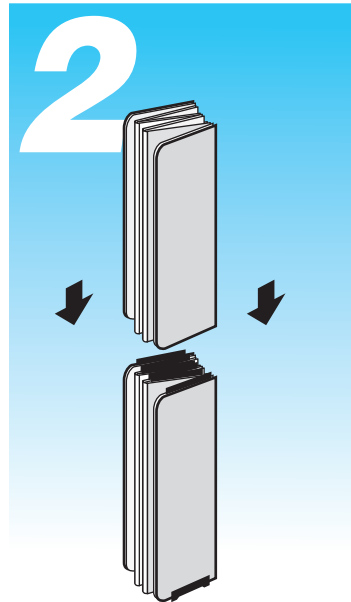


Ready Set Show! Set-Up Instructions

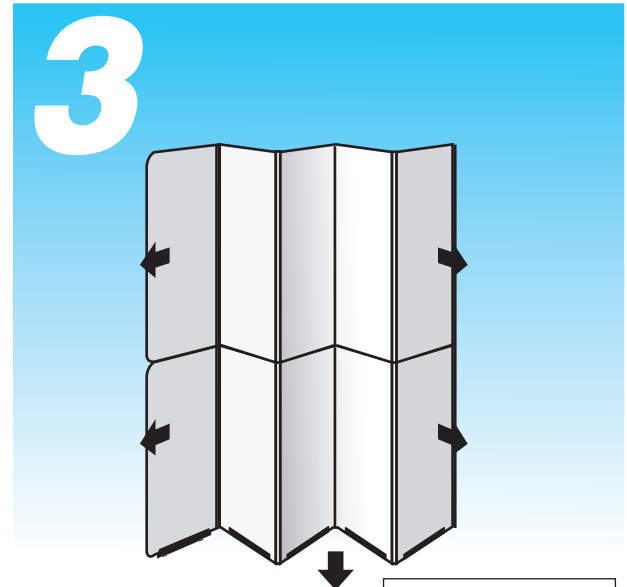
For 12 panel Ready•Set•Show! with backlit header.
 Other freestanding displays may fold differently but use same guide and panel system of stacking.
 Tabletop Option: Either base or upper sections may be used independently as tabletop displays.



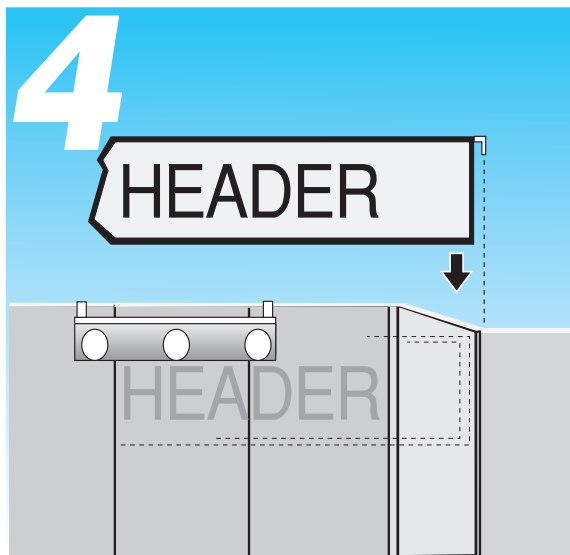
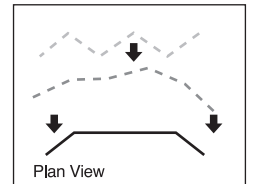
1
 Locate **Six Panel Base** section (footed channels on bottom). Stand on feet and fold panels to form an accordion or zig zag effect. **Insert stacking guides** into grooves in top of base panels.



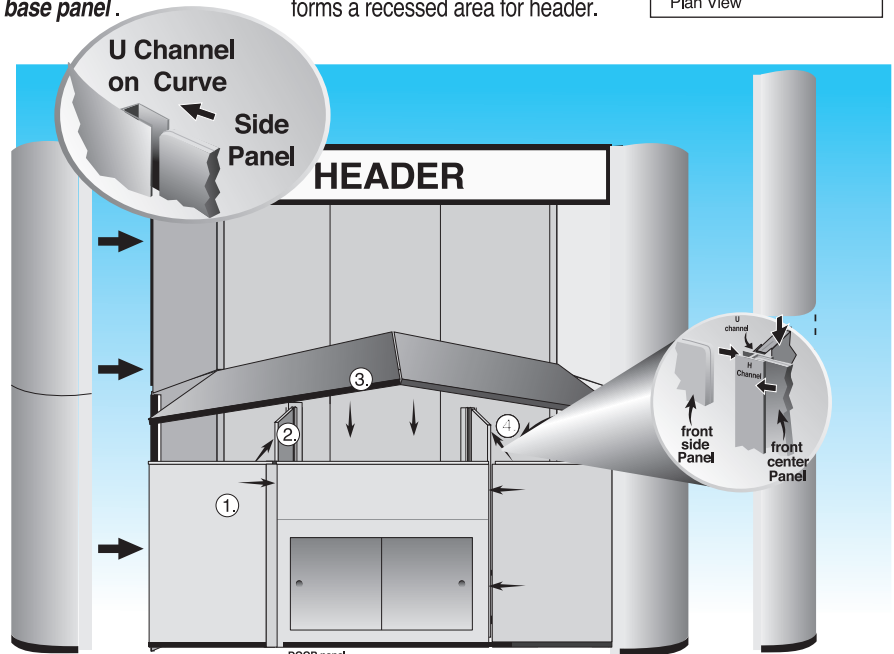
2
 Rest upper section on base section. **Aligning upper panels to lower, work each panel onto corresponding guide on base panel.**



3
Unfold panels. Push center hinge forward and slide side panels forward so that the eight panel center section forms a recessed area for header.



4
 If your unit includes a back lit header, **hang light bar** (brackets attached to fixture) **in center of display.** Assemble header according to instructions on header sheet. **Header brackets hang over recessed side panels just behind front hinges.**



To **attach curve base sections** (black bands on bottom), **slide "U" channel of right and left curves** onto the end of the **corresponding Side Panels.** Flexible **guides attach with velcro to inside base curves.**

- Attach upper section of curve with "U" channel** as before and **slide down onto flexible guide** affixed to lower curve.
1. Slide side filler panels with "U" channel onto door panel and set in place flush with hinges on front of the display.
 2. Slide narrow support panels into "U" channel and Velcro to display
 3. Locate shelf and set onto top of door assembly. The shelf has Velcro along back edge to attach to the display panels.
 4. Attach single joiner strips to single panels