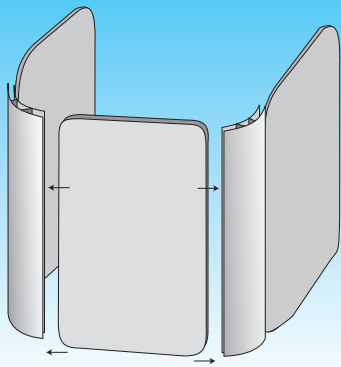


CENTER TOWER INSTRUCTIONS

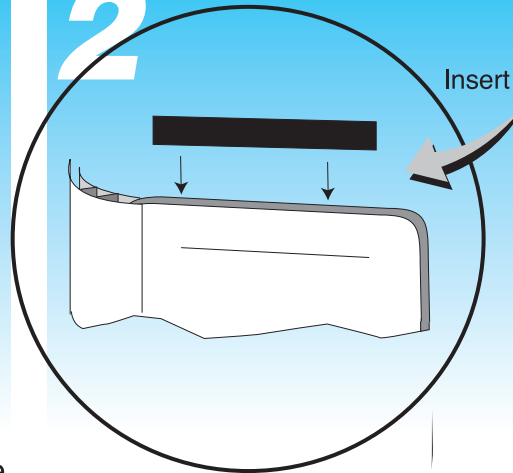
p.1

1



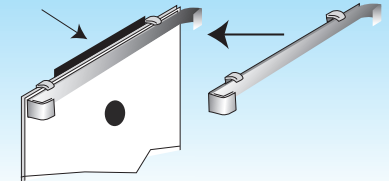
Insert single panels into 90° channels for Top, Middle, and Bottom sections.

2



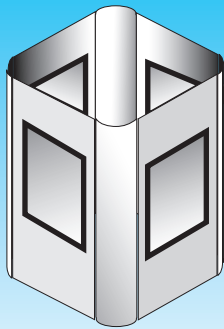
Insert stacking guide into slots.

Short stacking guide



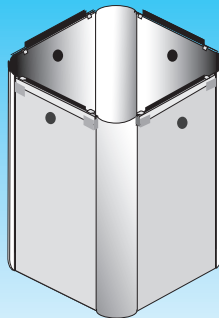
Header support bars hang over single panels on middle section.

3



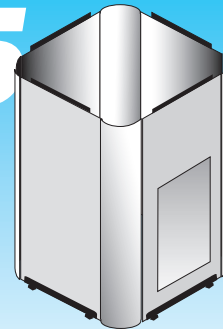
Top section.

4



Middle section with **short** stacking guides, Header hanger brackets and electrical access ports.

5

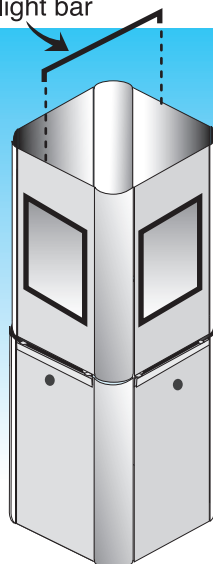


Bottom section with access door and stacking guides.

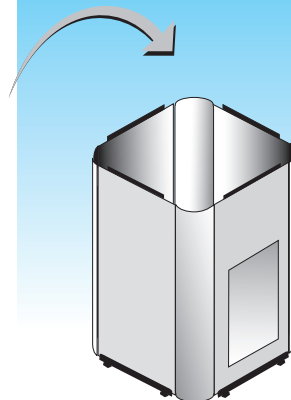
6

Place top section onto middle section, then place the bar for hanging the center light on top. NOTE: At this time any graphics should be placed on the Top section. Now, place the two upper sections on top of the bottom section.

center light bar



7



8

