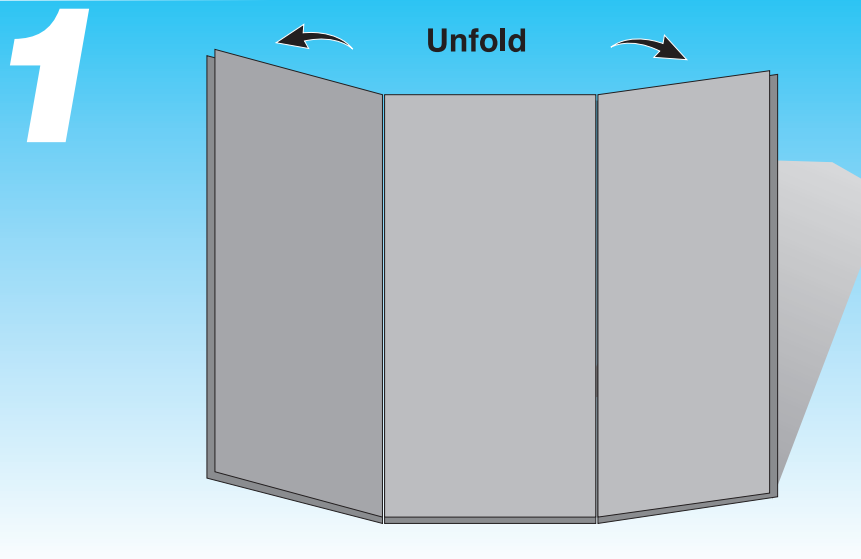
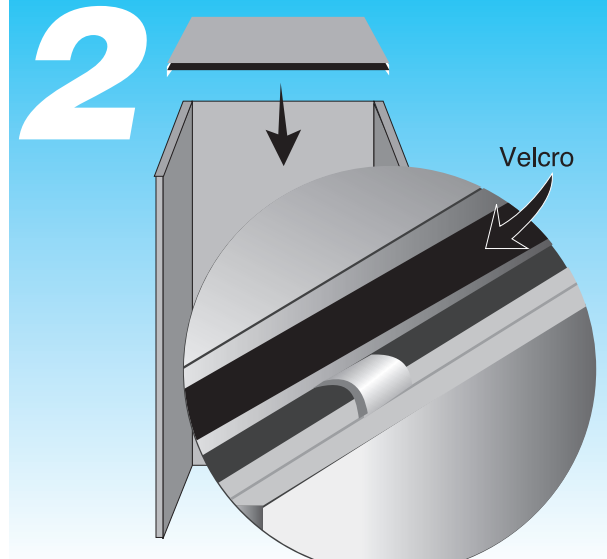


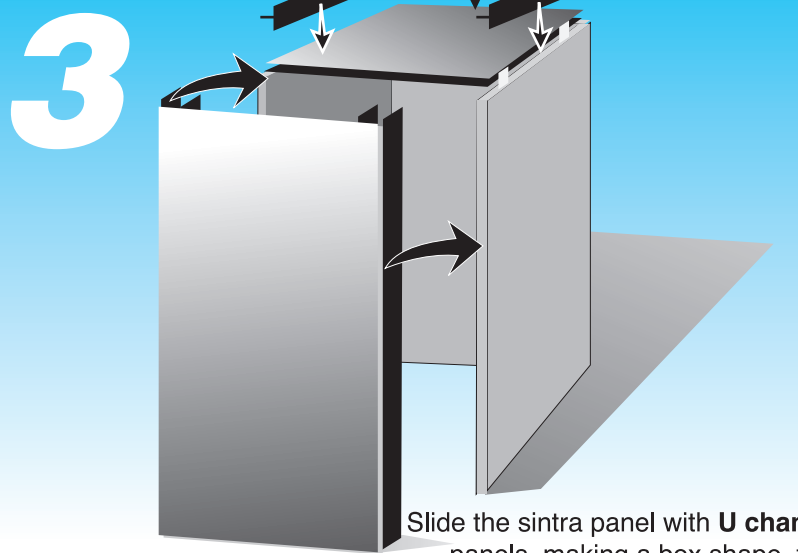
# AV Tower assembly



Unfold the main three panels of the unit into a U-shape



Next, the T.V. support platform (with Velcro) is placed on top (the metal tabs insert into the slots on top)



Slide the sintra panel with **U channels** onto the panels, making a box shape, then insert the stacking guides into the slots on top as well

